

ORBITIS®

energía inteligente



# VIARIS UNI + POWERFUL AC CHARGER UP TO 22 kW

SMART SOLUTION FOR ELECTRIC MOBILITY

# VIARIS UNI +

The natural evolution of our bestseller. Same technology with space for electrical protections

Smart EV charging system, specifically suitable for private use in companies, communities or homes. Configurable up to 7.4 kW or 22 kW power with 5 or 10 m hose length and TYPE 2 connectors with optional Tesla button. It includes DIN rail to house the electrical protections and an energy meter located behind a lockable door.

Compatible with the e-VIARIS App, to be able to manage and configure the charging station as well as to view the consumption of the Electric Vehicle or the facility/home locally or remotely.

It has a remote connection, monitoring and remote firmware updating. It can be installed in public areas as well as private environments.



**ATTRACTIVE DESIGN, SIMPLE USE**

# VIARIS UNI +

## 1 POWER MODULATION

To achieve the highest recharge in the shortest possible time without exceeding the contracted power and depending on the instantaneous consumption of the other electrical appliances in the installation.

## 2 EXCLUSIVE FUNCTIONALITY

Single-phase recharging for three-phase vehicles based on the instantaneous power consumption of the other electrical appliances in the home building.

## 3 EVERYTHING UNDER CONTROL

Wi-Fi communication for configuration and handling from the e-VIARIS App.

## 4 ACCESSIBILITY

Touch or RFID card activation for Excel report of users consumption.

## 5 SECURITY

Includes 10-module DIN rail to house electrical protections and energy meter accessible through door with key lock.

## 6 VERSATILE

Wall or column mounting is possible. Optionally, fixed pedestal and/or protective roof.

## 7 CONNECTOR TYPE 2

Available in versions with 5 or 10 m cable or outlet type, according to EN 62196. Tesla compatible Type 2 connector with push button also available.

## 8 ADAPTABLE

Wireless communication (WiFi) with batteries and inverters. Compatible with VIARIS SOLAR for installations with photovoltaic power generation.

ROBUST AND RESISTANT  
TO ADVERSE CLIMATE  
CONDITIONS

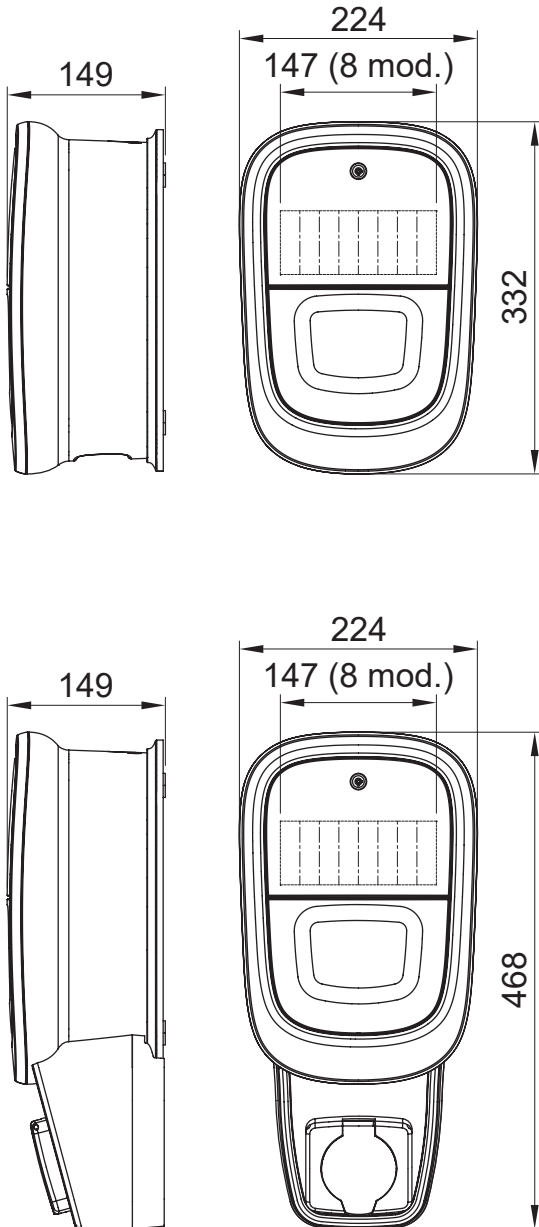
IK10

IP54

# VERSATILE, SUSTAINABLE AND POWERFUL

## VIARIS UNI +

Dimensions (mm)



### Technical Specifications

Power supply	230 V ac $\pm$ 10 %
Nominal frequency	50 Hz
Charging mode	Mode 3 according to EN 61851-1
Power consumption	4 W (11 VA) stand by 7 W (17 VA) in charge function
Power modulation	As Standard
Electrical protections	Residual Direct Current Detector (RDC-DD) according to IEC 62955
Output No.	1 output Type 2. Optionally with Tesla Button and Schuko outlet
Cable length	5 or 10 m
Outlet Power	7,4 kW (32 A) or 22 kW (63 A)
Additional Protections	MCB, POP, DPS and RCD type A.
Measure electricity consumption recharge	Yes (Class A) with option MID energy meter
Connectivity	WiFi as standard Ethernet and 4G optionally
Activation method	Touch or by RFID Reader
Communication protocols	MQTT, OCPP 1.6, HTTP
Operating temperature	-30 °C to 50 °C
Operating humidity	95%
Casing material	PC high strenght
Degree of protection	IP54 according to EN 60529
Degree of mechanical protection	IK10 according to EN 62262
Net weight	4 kg approx. (according to models)
Method	Wall surface

**ORBIS TECNOLOGÍA ELÉCTRICA, S.A.**

Lérida 61. 28020 MADRID, Spain

Email: [info@orbis.es](mailto:info@orbis.es)

Tel: +34 91 567 22 77

[www.orbis.es](http://www.orbis.es) | [www.viarisorbis.com](http://www.viarisorbis.com)

