

CS Wall-Mounted Sheet Steel Enclosures with Mounting Plate



Productcatalogue 2017



Powering Business Worldwide



Energizing a world that demands more.

We deliver:

- **Electrical solutions** that use less energy, improve power reliability and make the places we live and work safer and more comfortable
- **Hydraulic and electrical solutions** that enable machines to deliver more productivity without wasting power
- **Aerospace solutions** that make aircraft lighter, safer and less costly to operate, and help airports operate more efficiently
- **Vehicle drivetrain and powertrain solutions** that deliver more power to cars, trucks and buses, while reducing fuel consumption and emissions

Discover today's Eaton.

Powering business worldwide

As a global power management company, we help customers worldwide manage the power needed for buildings, aircraft, trucks, cars, machinery and businesses.

Eaton's innovative technologies help customers manage electrical, hydraulic and mechanical power more reliably, efficiently, safely and sustainably.

We provide integrated solutions that help make energy, in all its forms, more practical and accessible.

With 2016 sales \$19.7 billion, Eaton has approximately 95,000 employees around the world and sells products in more than 175 countries.

Eaton.com

EATON

Powering Business Worldwide

CS Wall-Mounted Sheet Steel Enclosures with Mounting Plate

wa_vt08914



Available in 45 sizes ...
from 250x200x150 mm to 1200x1200x250 mm

image01-cl



VT12210



- The stable CS enclosures series made of solid sheet steel is ideal wherever an effective protection against direct contact with live parts is required. The high degree of protection (IP66) not only provides full protection against most adverse environmental conditions, but also protects the systems and equipment inside the enclosures against their harmful consequences.
- Tightness is guaranteed through a continuously foamed polyurethane sealing. An all-around rainwater drain profile prevents liquids (such as water or oil) and dirt from penetrating when opening the door.
- Shock resistance rating is IK09 according to EN 62262, hence the inside equipment of the enclosures is also protected against mechanical impacts. CS enclosures can be installed as wall-mounted enclosures. A rough-type paint applied in the powder-coating method provides for non-abrasive corrosion protection.
- The door of the enclosure is easy to remove in case any further mechanical work needs to be carried out. Concealed inside hinges according quick-change technology are easy to remove for this purpose and provide for quick and easy reversal of the hinging from left to right and vice-versa.

Technical features at a glance

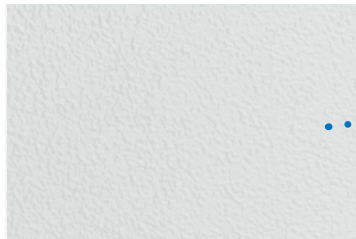
- **Rainwater drain profile**
Prevents liquids (such as water or oil) and dirt from penetrating when opening the door.



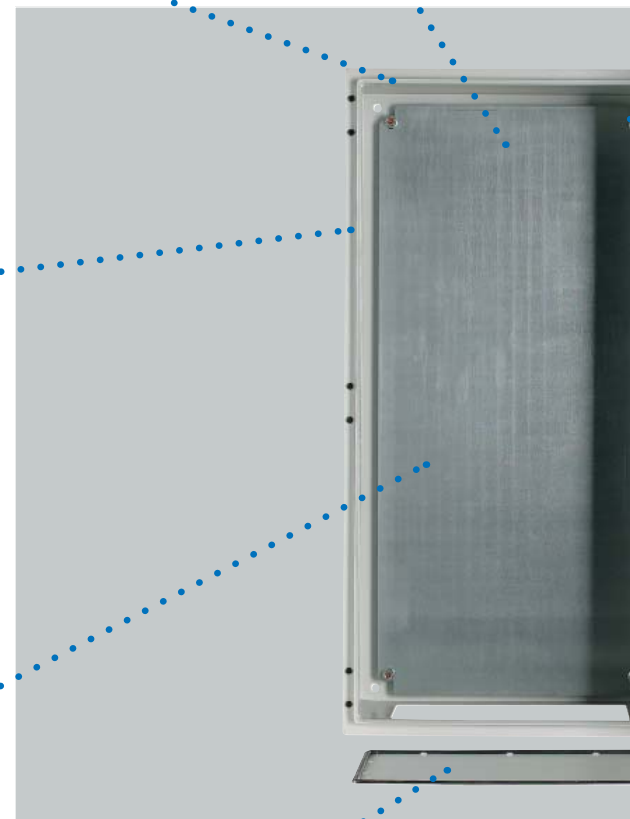
- **Stable design of the enclosures**
Made of high-grade sheet steel. Protection against mechanical impact.



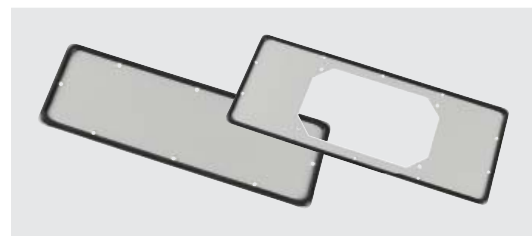
- **RAL7035**
Surface and corrosion protection through a rough-type powder-coating inside and out, RAL 7035.



- **Mounting plate**
Galvanized sheet steel 2 - 3 mm thick for safe installation of switchgear and basic EMC protection.



- **Flange plate**
With coextruded seal, sSheet steel for own production. The enclosure can be turned by 180° for cable insertion at the top or bottom.



- **Wall-mounting brackets**

For fixing the enclosures on the wall. Mounting in horizontal and vertical direction possible.



- **Foamed sealing**

Guarantees absolute tightness. IP66 is guaranteed for the entire series.



- **Standardized locking system**

with twist lock.
For use with standardized locks.



- **Door-hinging**

Optionally left or right-hinged on either 2 or 3 inside hinges.



- **Hinge bolt with quick-change technology**

For quick and easy removal of the door in case of further work to be carried out.



CS Wall-Mounted Sheet Steel Enclosures with Mounting Plate


	Dimensions [mm]			Number of doors	Number of locks	Number of hinges	Door-Profiles Number
	Height A	Width B	Depth C				
	250	200	150	1	1	2	1
	300	200	150	1	1	2	1
	300	300	150	1	1	2	2
	300	300	200	1	1	2	2
	300	400	200	1	1	2	2
	400	300	150	1	1	2	2
	400	300	200	1	1	2	2
	400	400	150	1	1	2	2
	400	400	200	1	1	2	2
	400	600	200	1	1	2	2
	400	600	250	1	1	2	2
	400	600	300	1	1	2	2
	500	400	150	1	2	2	2
	500	400	200	1	2	2	2
	500	400	250	1	2	2	2
	500	500	250	1	2	2	2
	600	400	150	1	2	2	2
	600	400	200	1	2	2	2
	600	400	250	1	2	2	2
	600	500	150	1	2	2	2
	600	500	200	1	2	2	2
	600	500	250	1	2	2	2
	600	600	200	1	2	2	2
	600	600	250	1	2	2	2
	600	600	300	1	2	2	2
	600	800	300	1	2	2	2
	700	500	200	1	2	2	2
	700	500	250	1	2	2	2
	800	400	200	1	2	3	2
	800	400	250	1	2	3	2
	800	600	200	1	2	3	2
	800	600	250	1	2	3	2
800	600	300	1	2	3	2	
800	800	200	1	2	3	2	
800	800	300	1	2	3	2	
800	1000	300	1	2	3	2	
	1000	600	250	1	3P	3	2
	1000	600	300	1	3P	3	2
	1000	800	250	1	3P	3	2
	1000	800	300	1	3P	3	2
	1000	1000	300	1	3P	3	2
	1200	600	250	1	3P	3	2
	1200	800	300	1	3P	3	2
	1200	1000	300	1	3P	3	2
	1200	1200	250	1	3P	3	2

3P: 3-Point-Locking-System

Flange plates		max. F3A	Dimensions [mm] of mounting plate	Weight [kg] incl. mounting plate	Type Designation	Article No.	Units per package (pcs.)
Number	t1 x t2 [mm]						
1	112 x 182	0	220 x 150	3,4	CS-2520/150	111646	1
1	112 x 182	0	270 x 150	3,9	CS-32/150	111647	1
1	112 x 232	0	270 x 250	5,2	CS-33/150	111648	1
1	172 x 262	1	270 x 250	6,1	CS-33/200	111649	1
1	172 x 332	1	270 x 350	7,4	CS-34/200	111680	1
1	112 x 232	0	370 x 250	6,6	CS-43/150	111681	1
1	172 x 262	1	370 x 250	7,6	CS-43/200	111682	1
1	112 x 332	0	370 x 350	8,7	CS-44/150	111683	1
1	172 x 332	1	370 x 350	9,7	CS-44/200	111684	1
1	172 x 532	2	370 x 550	13,4	CS-46/200	111685	1
1	172 x 532	2	370 x 550	14,3	CS-46/250	111686	1
1	172 x 532	2	370 x 550	15,7	CS-46/300	111687	1
1	112 x 332	0	470 x 350	10,1	CS-54/150	111688	1
1	172 x 332	1	470 x 350	10,9	CS-54/200	111689	1
1	172 x 332	1	470 x 350	11,9	CS-54/250	111690	1
1	172 x 432	1	470 x 450	14,5	CS-55/250	111691	1
1	112 x 332	0	570 x 350	12,4	CS-64/150	111692	1
1	172 x 332	1	570 x 350	13,2	CS-64/200	111693	1
1	172 x 332	1	570 x 350	14,5	CS-64/250	111694	1
1	112 x 332	0	570 x 450	15,4	CS-65/150	111695	1
1	172 x 432	1	570 x 450	16,8	CS-65/200	111696	1
1	172 x 432	1	570 x 450	17,1	CS-65/250	111697	1
1	172 x 532	2	570 x 550	21,8	CS-66/200	111698	1
1	172 x 532	2	570 x 550	23,1	CS-66/250	111699	1
1	172 x 532	2	570 x 550	24,5	CS-66/300	111700	1
1	172 x 732	3	570 x 750	34,8	CS-68/300	111701	1
1	172 x 432	1	670 x 450	21,1	CS-75/200	111702	1
1	172 x 432	1	670 x 450	21,6	CS-75/250	111703	1
1	172 x 332	1	770 x 350	21,7	CS-84/200	111704	1
1	172 x 332	1	770 x 350	23,2	CS-84/250	111705	1
1	172 x 532	2	770 x 550	30,2	CS-86/200	111706	1
1	172 x 532	2	770 x 550	32,8	CS-86/250	111707	1
1	172 x 532	2	770 x 550	34,9	CS-86/300	111708	1
1	172 x 732	3	770 x 750	39,0	CS-88/200	111709	1
1	172 x 732	3	770 x 750	42,8	CS-88/300	111710	1
1	172 x 932	3	770 x 950	54,2	CS-810/300	111711	1
1	172 x 532	2	970 x 550	43,3	CS-106/250	111712	1
1	172 x 532	2	970 x 550	45,4	CS-106/300	111713	1
1	172 x 732	3	970 x 750	55,5	CS-108/250	111714	1
1	172 x 732	3	970 x 750	56,1	CS-108/300	111715	1
1	172 x 932	3	970 x 950	68,0	CS-1010/300	111716	1
1	172 x 532	2	1170 x 550	50,2	CS-126/250	111717	1
1	172 x 732	3	1170 x 750	67,7	CS-128/300	111718	1
1	172 x 932	3	1170 x 950	83,2	CS-1210/300	111719	1
2	2x 172x532	4	1170 x 1150	94,2	CS-1212/250	111720	1


Set of Wall-Mounting Brackets

- For fixing the enclosures on the wall
- Vertical or horizontal mounting
- Material of the brackets: zinc-plated sheet steel 3 mm
- One set includes 4 wall-mounting brackets plus mounting accessories

	For enclosure	Type Designation	Article No.	Units per package (pcs.)
	CS	WFB-SET-CS	112639	1

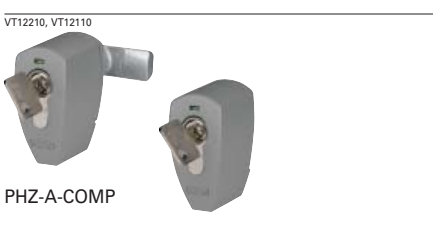
Universal Locks

- Lock plate made of high-grade, shock-proof zinc die-casting
- Lock inserts and lock bolts made of metal
- Colour dusty grey RAL 7037, powder-coated
- For indoor and outdoor applications
- Counternut of metal, with chamfering
- Compatible with standard lock bolts
- For standardized door cut-outs sized 22.5 x 20.4 mm

	Description	Type Designation	Article No.	Units per package (pcs.)
	3 mm two-way key-bit	LC-DBIT3-CS	133102	1
	5 mm two-way key-bit	LC-DBIT5-CS	133103	1
	Identical locking, lock cylinder with 2 keys	LC-ZSBIT-CS	133104	1

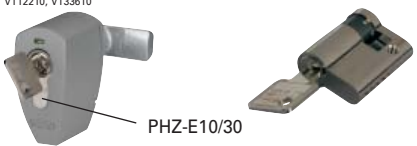
Ease-of-use Rotary Handle

- Rotary handle suitable for standardized profile half-cylinders
- With integrated indication of lock position
- Available as a retro-fitting or complete set
- Handle made of high-grade shock-proof zinc die-casting
- Compatible with all LC-... universal locks
- For standardized door cut-outs sized 22.5 x 20.4 mm
- Colour dusty grey RAL 7037, powder-coated
- Profile half-cylinder to be ordered separately

	Description	Type Designation	Article No.	Units per package (pcs.)
	Complete set	PHZ-A-COMP	133105	1
	Retro-fitting set	PHZ-A-ADD-ON	133106	1


Profile Half-Cylinder for Ease-of-use Handles

- For rotary and clip-down ease-of-use handles
- Lock-cylinder finish according to DIN 18252 and DIN EN 1303
- Profile half-cylinder 10/30 with pin closures made of nickel silver
- 8-fold adjustable lock bit, 5 pairs of pins
- Keyed alike or different

	Description	Type Designation	Article No.	Units per package (pcs.)
 <p>VT12210, VT33610 PHZ-E10/30</p>	1 Key included, keyed alike	PHZ-E10/30-GS	138574	1
	3 Keys included, keyed different	PHZ-E10/30-VS	138575	1

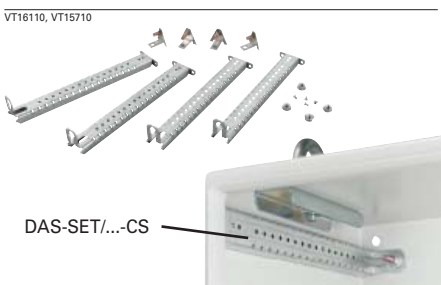
Spare Key for Profile Half-Cylinder

- For profile half-cylinder PHZ-E...-GS


	Description	Type Designation	Article No.	Units per package (pcs.)
 <p>VT12510</p>	Identical locking	KEY-E10/30-GS	138576	4

Depth-Adjustment Elements for Mounting Plates

- Depth-adjustable on a 25 mm grid
- Sheet steel, zinc-plated
- Fastening material included

	Dimensions Enclosure Depth (mm)	Type Designation	Article No.	Units per package (pcs.)
 <p>VT116110, VT115710 DAS-SET/...-CS</p>	150	DAS-SET/150-CS	138656	1
	200	DAS-SET/200-CS	138657	1
	250	DAS-SET/250-CS	138658	1
	300	DAS-SET/300-CS	138659	1

Cage Nuts for Mounting Plates with Punch Holes MPP...

	Thread of screw	Type Designation	Article No.	Units per package (pcs.)
 <p>wa_vt29413</p>	M6	CANU-M6-CS	138710	100
	M8	CANU-M8-CS	138711	100

Mounting Plate with Punch Holes, for Cage Nuts

- Punch holes for cage nuts size M6 or M8
- Sheet steel, zinc-plated
- Fastening material not included

	Dimensions Enclosure HeightxWidth (mm)	Type Designation	Article No.	Units per package (pcs.)
	250x200	MPP-2520-CS	138685	1
	300x200	MPP-3020-CS	138686	1
	300x300	MPP-3030-CS	138687	1
	300x400	MPP-3040-CS	138688	1
	400x300	MPP-4030-CS	138689	1
	400x400	MPP-4040-CS	138690	1
	400x600	MPP-4060-CS	138691	1
	500x400	MPP-5040-CS	138692	1
	500x500	MPP-5050-CS	138693	1
	600x400	MPP-6040-CS	138694	1
	600x500	MPP-6050-CS	138695	1
	600x600	MPP-6060-CS	138696	1
	600x800	MPP-6080-CS	138697	1
	700x500	MPP-7050-CS	138698	1
	800x400	MPP-8040-CS	138699	1
	800x600	MPP-8060-CS	138700	1
	800x800	MPP-8080-CS	138701	1
	800x1000	MPP-80100-CS	138702	1
	1000x600	MPP-10060-CS	138703	1
	1000x800	MPP-10080-CS	138704	1
1000x1000	MPP-100100-CS	138705	1	
1200x600	MPP-12060-CS	138706	1	
1200x800	MPP-12080-CS	138707	1	
1200x1000	MPP-120100-CS	138708	1	
1200x1200	MPP-120120-CS	138709	1	

Mounting Plate without Punch Holes, Powder-coated RAL 2000

- Without punch holes, powder-coated RAL 2000
- Sheet steel
- Fastening material not included

	Dimensions Enclosure HeightxWidth (mm)	Type Designation	Article No.	Units per package (pcs.)
	250x200	MPL-2520/RAL2000-CS	138712	1
	300x200	MPL-3020/RAL2000-CS	138713	1
	300x300	MPL-3030/RAL2000-CS	138714	1
	300x400	MPL-3040/RAL2000-CS	138715	1
	400x300	MPL-4030/RAL2000-CS	138716	1
	400x400	MPL-4040/RAL2000-CS	138717	1
	400x600	MPL-4060/RAL2000-CS	138718	1
	500x400	MPL-5040/RAL2000-CS	138719	1
	500x500	MPL-5050/RAL2000-CS	138720	1
	600x400	MPL-6040/RAL2000-CS	138721	1
	600x500	MPL-6050/RAL2000-CS	138722	1
	600x600	MPL-6060/RAL2000-CS	138723	1
	600x800	MPL-6080/RAL2000-CS	138724	1
	700x500	MPL-7050/RAL2000-CS	138725	1
	800x400	MPL-8040/RAL2000-CS	138726	1
	800x600	MPL-8060/RAL2000-CS	138727	1
	800x800	MPL-8080/RAL2000-CS	138728	1
	800x1000	MPL-80100/RAL2000-CS	138729	1
	1000x600	MPL-10060/RAL2000-CS	138730	1
	1000x800	MPL-10080/RAL2000-CS	138731	1
1000x1000	MPL-100100/RAL2000-CS	138732	1	
1200x600	MPL-12060/RAL2000-CS	138733	1	
1200x800	MPL-12080/RAL2000-CS	138734	1	
1200x1000	MPL-120100/RAL2000-CS	138735	1	
1200x1200	MPL-120120/RAL2000-CS	138736	1	

Mounting Plate, without Punch Holes, Galvano Zinc-plated

- Without punch holes, galvano zinc-plated
- Sheet steel
- Fastening material not included

	Dimensions Enclosure HeightxWidth (mm)	Type Designation	Article No.	Units per package (pcs.)
	250x200	MPL-2520-CS	138747	1
	300x200	MPL-3020-CS	138748	1
	300x300	MPL-3030-CS	138749	1
	300x400	MPL-3040-CS	138750	1
	400x300	MPL-4030-CS	138751	1
	400x400	MPL-4040-CS	138752	1
	400x600	MPL-4060-CS	138753	1
	500x400	MPL-5040-CS	138754	1
	500x500	MPL-5050-CS	138755	1
	600x400	MPL-6040-CS	138756	1
	600x500	MPL-6050-CS	138757	1
	600x600	MPL-6060-CS	138758	1
	600x800	MPL-6080-CS	138759	1
	700x500	MPL-7050-CS	138760	1
	800x400	MPL-8040-CS	138761	1
	800x600	MPL-8060-CS	138762	1
	800x800	MPL-8080-CS	138763	1
	800x1000	MPL-80100-CS	138764	1
	1000x600	MPL-10060-CS	138765	1
	1000x800	MPL-10080-CS	138766	1
1000x1000	MPL-100100-CS	138767	1	
1200x600	MPL-12060-CS	138768	1	
1200x800	MPL-12080-CS	138769	1	
1200x1000	MPL-120100-CS	138770	1	
1200x1200	MPL-120120-CS	138771	1	


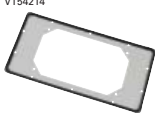

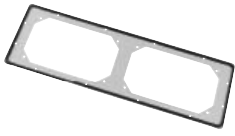
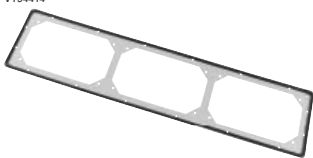

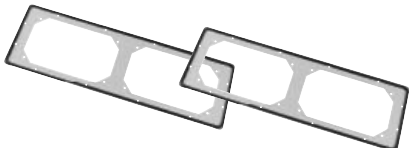
Door for Internal Separation

- Inside door for operating and signalling devices
- Sheet steel, powder-coated RAL 7035
- Depth-adjustment elements DAS-SET...-CS for mounting plates, required in addition
- Locks are not included in the scope of delivery LC-...BIT-CS

	Dimensions Enclosure HeightxWidth (mm)	Type Designation	Article No.	Units per package (pcs.)
	250x200	DI-2520-CS	138660	1
	300x200	DI-3020-CS	138661	1
	300x300	DI-3030-CS	138662	1
	300x400	DI-3040-CS	138663	1
	400x300	DI-4030-CS	138664	1
	400x400	DI-4040-CS	138665	1
	400x600	DI-4060-CS	138666	1
	500x400	DI-5040-CS	138667	1
	500x500	DI-5050-CS	138668	1
	600x400	DI-6040-CS	138669	1
	600x500	DI-6050-CS	138670	1
	600x600	DI-6060-CS	138671	1
	600x800	DI-6080-CS	138672	1
	700x500	DI-7050-CS	138673	1
	800x400	DI-8040-CS	138674	1
	800x600	DI-8060-CS	138675	1
	800x800	DI-8080-CS	138676	1
	800x1000	DI-80100-CS	138677	1
	1000x600	DI-10060-CS	138678	1
	1000x800	DI-10080-CS	138679	1
	1000x1000	DI-100100-CS	138680	1
	1200x600	DI-12060-CS	138681	1
	1200x800	DI-12080-CS	138682	1
	1200x1000	DI-120100-CS	138683	1
1200x1200	DI-120120-CS	138684	1	


Bottom Panels with F3A Flange Openings

- Not suitable for CS-.../150 enclosures
- For F3A-... flanges
- With foam sealant, max. degree of protection is IP66 if correctly used with F3A-...
- Material: Sheet steel, powder-coated RAL 7035
- Can also be used as a top panel if the enclosure is turned by 180°

	For enclosure dimensions width (mm)	Number of flange	Suitable for openings	Type Designation	Article No.	Units per package (pcs.)
 <p>VT54114</p>	300	1	CS-33/200 CS-43/200	AFP-3-CS	112914	1
 <p>VT54214</p>	400	1	CS-34/200 CS-44/200 CS-54/200 CS-54/250 CS-64/200 CS-64/250 CS-84/200 CS-84/250	AFP-4-CS	112915	1
 <p>VT54514</p>	500	1	CS-55/250 CS-65/200 CS-65/250 CS-75/200 CS-75/250	AFP-5-CS	112916	1
 <p>VT54314</p>	600	2	CS-46/200 CS-46/250 CS-46/300 CS-66/200 CS-66/250 CS-66/300 CS-86/200 CS-86/250 CS-86/300 CS-106/250 CS-106/300 CS-126/250	AFP-6-CS	112917	1
 <p>VT54414</p>	800	3	CS-68/300 CS-88/200 CS-88/300 CS-108/250 CS-108/300 CS-128/300	AFP-8-CS	112918	1
 <p>VT54014</p>	1000	3	CS-810/300 CS-1010/300 CS-1210/300	AFP-10-CS	112919	1
 <p>VT54314, VT54314</p>	1200	2x2	CS-1212/250	AFP-12-CS	112920	1

Bottom Panels with FL21 Flange Openings

- Not suitable for CS2520/150 and CS-32/150 enclosures
- For FL21 flanges
- With foam sealant, max. degree of protection is IP66 if correctly used with FL21
- Material: Sheet steel, powder-coated RAL7035
- Can also be used as a top panel if the enclosure is turned by 180°

	For enclosure dimensions width (mm)	Number of flange	Suitable for openings	Type Designation	Article No.	Units per package (pcs.)
	300	1	CS-33/150 CS-43/150	AFP-FL21/112X232-CS	144201	1
	400	1	CS-44/150 CS-54/150 CS-65/150	AFP-FL21/112X332-CS	144202	1
	300	1	CS-33/200 CS-43/200	AFP-FL21/172X262-CS	144203	1
	400	1	CS-34/200 CS-44/200 CS-54/200 CS-54/250 CS-64/200 CS-64/250 CS-84/200 CS-84/250	AFP-FL21/172X332-CS	144204	1
	500	1	CS-55/250 CS-65/200 CS-65/250 CS-75/200 CS-75/250	AFP-FL21/172X432-CS	144205	1
	600	2	CS-46/200 CS-46/250 CS-46/300 CS-66/200 CS-66/250 CS-66/300 CS-86/200 CS-86/250 CS-86/300 CS-106/250 CS-106/300 CS-126/250	AFP-FL21/172X532-CS	144206	1
	800	3	CS-68/300 CS-88/200 CS-88/300 CS-108/250 CS-108/300 CS-128/300	AFP-FL21/172X732-CS	144207	1
	1000	3	CS-810/300 CS-1010/300 CS-1210/300	AFP-FL21/172X932-CS	144208	1
	1200	2x2	CS-1212/250	AFP-FL21/172X532-CS	144206	1

Bottom Panels without Openings

- Degree of protection of the enclosure: IP66
- With foam sealant all around
- Sealant is protected in the deep-drawn area
- Powder-coated RAL 7035

	Dimensions Enclosure WidthxDepth (mm)	Type Designation	Article No.	Units per pack. (pcs.)
	182x112	SFP-112X182-CS	138738	1
	232x112	SFP-112X232-CS	138739	1
	332x112	SFP-112X332-CS	138740	1
	262x172	SFP-172X262-CS	138741	1
	332x172	SFP-172X332-CS	138742	1
	432x172	SFP-172X432-CS	138743	1
	532x172	SFP-172X532-CS	138744	1
	732x172	SFP-172X732-CS	138745	1
	932x172	SFP-172X932-CS	138746	1

Set of Lifting Eyebolts and Profile Brackets

- As a re-enforcement of the inside enclosure, to accommodate the lifting eyebolts
- Lifting eyebolts with an M12 thread
- Profile brackets made of stable, 3 mm thick sheet steel
- IP66 degree of protection is maintained
- Each set includes 2 lifting eyebolts, profile brackets and seals

	Length (mm)	Type Designation	Article No	Units per pack. (pcs.)
	135	TOR-SET/135-CS	140479	2

Material for Fixing on a Mast

- For fixing on round or square masts
- Set consisting of profile rail, tensioning strap and tensioning screw
- Sheet steel, zinc-plated, tensioning strap made of stainless steel
- For mast diameters of 150 to 215 mm

	Dimensions Enclosure Width (mm)	Type Designation	Article No	Units per pack. (pcs.)
	300	MAST-FIT-CS	140478	1
	400			
	500			
	600			
	800			

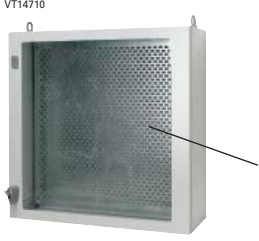

Cable Interconnect Base

- Height 200 mm
- Sheet steel, powder-coated RAL 7035
- Front and side panels can be removed
- Fastening material is included
- Cable strain relief rail is not included in the scope of delivery

	Dimensions Enclosure WidthxDepth (mm)	Type Designation	Article No	Units per (pcs.)
	600x250	PLI-6/250-200-CS	140472	1
	600x300	PLI-6/300-200-CS	140473	1
	800x250	PLI-8/250-200-CS	140474	1
	800x300	PLI-8/300-200-CS	140475	1
	1000x300	PLI-10/300-200-CS	140476	1
	1200x250	PLI-12/250-200-CS	140477	1


Doors with an Inspection Glass

- Degree of protection of the enclosure: IP66
- Frame made of sheet steel, powder-coated, safety inspection glass
- Without hinges, without lock

	Dimensions Enclosure HeightxWidth (mm)	Type Designation	Article No	Units per package (pcs.)
	250x200	DT-2520-CS	140480	1
	300x200	DT-3020-CS	140481	1
	300x300	DT-3030-CS	140482	1
	300x400	DT-3040-CS	140483	1
	400x300	DT-4030-CS	140484	1
	400x400	DT-4040-CS	140485	1
	400x600	DT-4060-CS	140486	1
	500x400	DT-5040-CS	140487	1
	500x500	DT-5050-CS	140488	1
	600x400	DT-6040-CS	140489	1
	600x500	DT-6050-CS	140490	1
	600x600	DT-6060-CS	140491	1
	600x800	DT-6080-CS	140492	1
	700x500	DT-7050-CS	140493	1
	800x400	DT-8040-CS	140494	1
	800x600	DT-8060-CS	140495	1
	800x800	DT-8080-CS	140496	1
	800x1000	DT-80100-CS	140497	1
	1000x600	DT-10060-CS	140498	1
	1000x800	DT-10080-CS	140499	1
	1000x1000	DT-100100-CS	140500	1
	1200x600	DT-12060-CS	140501	1
	1200x800	DT-12080-CS	140502	1
	1200x1000	DT-120100-CS	140503	1
1200x1200	DT-120120-CS	140504	1	


Doors (without inspection glass)

- Degree of protection of the enclosure: IP66
- Sheet steel, powder-coated
- Without hinges, without lock

	Dimensions Enclosure HeightxWidth (mm)	Type Designation	Article No	Units per package (pcs.)
	250x200	DS-2520-CS	140505	1
	300x200	DS-3020-CS	140506	1
	300x300	DS-3030-CS	140507	1
	300x400	DS-3040-CS	140508	1
	400x300	DS-4030-CS	140509	1
	400x400	DS-4040-CS	140510	1
	400x600	DS-4060-CS	140511	1
	500x400	DS-5040-CS	140512	1
	500x500	DS-5050-CS	140513	1
	600x400	DS-6040-CS	140514	1
	600x500	DS-6050-CS	140515	1
	600x600	DS-6060-CS	140516	1
	600x800	DS-6080-CS	140517	1
	700x500	DS-7050-CS	140518	1
	800x400	DS-8040-CS	140519	1
	800x600	DS-8060-CS	140520	1
	800x800	DS-8080-CS	140521	1
	800x1000	DS-80100-CS	140522	1
	1000x600	DS-10060-CS	140523	1
	1000x800	DS-10080-CS	140524	1
1000x1000	DS-100100-CS	140525	1	
1200x600	DS-12060-CS	140526	1	
1200x800	DS-12080-CS	140527	1	
1200x1000	DS-120100-CS	140528	1	
1200x1200	DS-120120-CS	140529	1	


Door Arrestor

- To stop a door in a defined position
- Sheet steel, zinc-plated
- Fastening material included

	Dimensions Enclosure Width (mm)	Type Designation	Article No	Units per pack. (pcs.)
	500	DOOR-RET-CS	138737	1
	600			
	800			
	1000			
	1200			


Universal Brackets for Door Contact Switches, Cable Duct Holders

- For fixing door contact switches or cable duct holders
- Sheet steel, zinc-plated

	Dimensions Enclosure Width (mm)	Type Designation	Article No	Units per pack. (pcs.)
	300	UNI-BRA-CS	140535	2
	400			
	500			
	600			
	800			
	1000			
	1200			


Quick-C Hinge Pin

- With Quick-Change system, for removal without the need of using any tools

	Type Designation	Article No	Units per pack. (pcs.)
	QUICK-C-CS	138773	6


Mounting Brackets, inclined

- For mounting TS35X7.5 or TS35X15 support rails in an inclined position
- Sheet steel, zinc-plated

	Type Designation	Article No	Units per pack. (pcs.)
	TS1-BRA-CS	138772	50

Mounting Webs for Door Profile Bars and Cable Ducts

- For fixing on vertical door profiles
- For screw-less mounting of KL... cable ducts by snapping cable duct covers onto the rear
- M6 fixing holes every 25 mm
- Sheet steel, zinc-plated

	Dimensions Enclosure Width (mm)	Type Designation	Article No	Units per pack. (pcs.)
	300	MTR-D3-CS	140530	2
	400	MTR-D4-CS	140531	2
	500	MTR-D5-CS	140532	2
	600	MTR-D6-CS	140533	2
	800	MTR-D8-CS	140534	2

Cable ducts

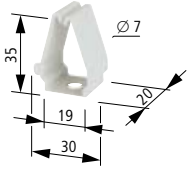
	Supplied in lengths of mm	Cable carrying capacity. Max. no. of cables (approximate)	Type and cross-section		Type Designation	Article No	Units per package (pcs.)
			H 0... V-K mm ²	H 0... V-K AWG			
Screw fixing							
00006555_0, VT08709, VT08609 	1500	60	0,75	–	KL25/35	012531	60
		40	1,5	14			
		25	2,5	10			
		15	4	–			
00006558_0, VT08709, VT08509 	1500	100	0,75	–	KL25/60	017277	40
		70	1,5	14			
		45	2,5	10			
		30	4	–			
		25	6	–			
00006558_0, VT08409, VT08309 	1500	260	0,75	–	KL60/60	029142	20
		180	1,5	14			
		120	2,5	10			
		80	4	–			
		65	6	–			
Self-adhesive							
• Ambient temperature max. +55°C							
00006555_0, VT08709, VT08609 	650	60	0,75	–	KL25/35K	014904	50
		40	1,5	2			
		25	2,5	10			
Cable duct cover							
• For replacement delivery							
00008397_0, VT08709 	1500	–	–	–	KD25	019649	1
00025953_0, VT08409 	1500	–	–	–	KD60	024395	1

Cable support brackets

- Can be used in KL25/35 (K) cable ducts, screw fixing

	Supplied in lengths of mm	Cable carrying capacity. Max. no. of cables (approximate)	Type and cross-section H 0... V-K mm ²	Type Designation	Article No	Units per package (pcs.)
	–	15	4	KH25/35	078974	20

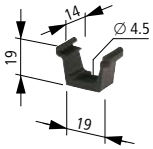
VT28009



Clamping brackets for cable ducts

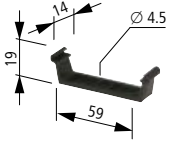
	Type Designation	Article No	Units per package (pcs.)
KL25/...: Fixing interval less than 500 mm	KK25	081347	100

VT27909



K60/60: Fixing interval less than 300 mm	KK60	083720	100
--	------	--------	-----

VT27809



Canopy

- For direct fixing on the base body of the enclosures
- Material: Sheet steel, powder-coated, RAL7035
- Fastening material included in the delivery


	For enclosure sizes [mm]			Type Designation	Article No	Units per pack. (pcs.)
	Width	Depth	Height of Top			
	200	150	30	CNP-2/150-CS	112890	1
	300	150	30	CNP-3/150-CS	112891	1
	300	200	34	CNP-3/200-CS	112892	1
	400	150	30	CNP-4/150-CS	112893	1
	400	200	34	CNP-4/200-CS	112894	1
	400	250	38	CNP-4/250-CS	112895	1
	500	150	30	CNP-5/150-CS	112896	1
	500	200	34	CNP-5/200-CS	112897	1
	500	250	38	CNP-5/250-CS	112898	1
	600	200	34	CNP-6/200-CS	112899	1
	600	250	38	CNP-6/250-CS	112900	1
	600	300	42	CNP-6/300-CS	112901	1
800	200	34	CNP-8/200-CS	112902	1	
800	250	38	CNP-8/250-CS	112903	1	
800	300	42	CNP-8/300-CS	112904	1	
1000	300	42	CNP-10/300-CS	112905	1	
1200	250	38	CNP-12/250-CS	112906	1	

VT112214




Ventilation Louvers

- For direct fixing on the base body of the enclosures
- Material: Sheet steel, powder-coated, RAL7035
- Fastening material included in the delivery
- Degree of protection IP23

	Positioning of the slots	Dimensions (mm)		Type Designation	Article No	Units per pack. (pcs.)
		Height	Width			
	vertical	157	105	LVP-20V12-CS	112907	1
	horizontal	164	105	LVP-20H12-CS	112908	1
	vertical	180	130	LVP-30V15-CS	112909	1
	horizontal	250	130	LVP-30H15-CS	112910	1


Earthing set for Door, BFZ-DES

- Cross section 6 mm²
- Assembly accessories included

	Description	Type Designation	Article No	Units per pack. (pcs.)
		BFZ-DES	101665	1


Circuit Diagram Bag, SPT

- Made of insulating material, fixing by self-sticker, RAL 7035 light gray

	Description	Type Designation	Article No	Units per pack. (pcs.)
	DIN A4 crosswise	SPT4	002275	1
	DIN A5 crosswise	SPT5	002276	1
	DIN A6 crosswise	SPT6	002277	1




Flask with Brush Applicator, BPZ-CPS-7035

- Plastic material, self-adhesive, RAL 7035 light gray

	Colour	Type Designation	Article No	Units per pack. (pcs.)
	RAL 7035	BPZ-CPS-7035	286771	1


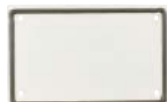






ITB Industrial Cable Tie Wraps

- For bundling up and fixing of wires, wire harnesses, conduits, pipes ...
- Continuously ribbed to the tip
- Temperature resistant from -40 to +85° C
- Material PO 6.6, natural colour, low flammability UL 94 V2
- Resistant to oils, petrol, salt water; solvents, mould

	Length mm	Width mm	Bundle Range mm	Special Features	Tensile Strength N	Type Designation	Article No	Units per package (pcs.)
 VT08809	98	2,5	21	–	8	ITB1	083550	1000
 VT08909	140	3,6	35	-	13	ITB2	085923	1000
 VT09009	205	4,2	60	with mounting eye 4.8 mm	220	ITB3	088296	100

F3A Flanges


- Colour RAL 7035
- Degree of protection IP66 (F3A-D with degree of protection reduced to IP54)

	Description	Type Designation	Article No	Units per pack. (pcs.)
	Blind flange	F3A-0	074182	1
	Blind flange, sheet steel	F3A-XP	113426	1
	4xM16, 6xM25/16, 8xM32/20	F3A-4	081301	1
	2xM20, 8xM25/16, 4xM32/20, 1xM50/32	F3A-8	091468	1
	2xM16, 12xM20, 2xM40/25, 2xM50/32	F3A-12	076555	1
	24xM16, 13xM20	F3A-34	078928	1
	2 Grommets for cables up to Ø 70mm	F3A-KTD	083674	1
	Cellular rubber insertion flange 40 cables Ø 10-13mm, 4 cables Ø 17-21mm, 2 cables Ø 27-30mm	F3A-D	010145	1

VT17407, VT09208, VT17507, VT17307, VT17607, VT17707, VT17807, VT17207


Membrane Grommets - Metric


- IP66, with integrated insertion membrane
- PE and thermoplastic elastomer, halogen-free

	Cable Insertion	Hole Diameter mm	Outer Cable Diameter mm	Use of Cable NYM/NYY, 4-wire mm ²	Type Designation	Article No	Units per package (pcs.)
	M16	16.5	1 – 9	H03VV-F3 x 0.75 mm ² , NYM 1 x 16/3 x 1.5 mm ²	KT-M16	216983	100
	M20	20.5	1 – 13	H03VV-F3 x 0.75 mm ² , NYM 5 x 1.5/5 x 2.5 mm ²	KT-M20	207602	100
	M25	25.5	1 – 18	H03VV-F3 x 0.75 mm ² , NYM 4 x 10 mm ²	KT-M25	207603	100
	M32	32.5	1 – 25	H03VV-F3 x 0.75 mm ² , NYM 4 x 16/5 x 10 mm ²	KT-M32	207604	100

Cable Glands - Metric, according to EN 50262

- IP68 up to 5 bar, polyamide, halogen-free
- Fire classification V2 according to UL94
- Colour RAL 7035


	Cable Insertion	Hole Diameter mm	Outer Cable Diameter mm	Use of Cable NYM/NYY, 4-wire mm ²	Type Designation	Article No	Units per package (pcs.)
	Cable glands, metric, with counternut and integrated strain relief						
	M12	12.5	3 – 7	H03VV-F 3 x 0.75 mm ² , NYM 1 x 2.5 mm ²	V-M12	215078	20
	M16	16.5	4.5 – 10	H03VV-F 3 x 1.5 mm ² , NYM 1 x 16/3 x 1.5 mm ²	V-M16	215077	20
	M20	20.5	6 – 13	H05VV-F 4 x 2.5/3 x 4 mm ² , NYM 5 x 1.5/5 x 2.5 mm ²	V-M20	206910	20
	M25	25.5	9 – 17	H05VV-F 5 x 2.5/5 x 4 mm ² , NYM 5 x 2.5/5 x 6 mm ²	V-M25	206911	20
	M32	32.5	13 – 21	NYM 5 x 10 mm ²	V-M32	206912	10
	M40	40.5	16 – 28	NYM 5 x 16 mm ²	V-M40	209668	10
	M50	50.5	21 – 35	NYM 4 x 35/5 x 25 mm ²	V-M50	206913	5
M63	63.5	34 – 48	NYM 4 x 35 mm ²	V-M63	214835	3	

	Cable Insertion	Hole Diameter mm	Outer Cable Diameter mm	Use of Cable NYM/NYY, 4-wire mm ²	Type Designation	Article No	Units per package (pcs.)
	Multiple Sealing, Metric, for Cable Glands V-M...						
	M25	–	4 x 5 – 6	H03VV-F 2 x 0.75/3 x 0.75 mm ²	MFD25	215451	25
	M32	–	4 x 3.5 – 7	H03VV-F 4 x 0.75 mm ²	MFD32	215452	25

	Cable Insertion	Hole Diameter mm	Outer Cable Diameter mm	Use of Cable NYM/NYY, 4-wire mm ²	Type Designation	Article No	Units per package (pcs.)
	Sealing Plugs for Spare Openings in Multiple Sealing MFD...						
	M25	–	–	–	MFV25-6	215453	50
	M32	–	–	–	MFV32-7	215454	50

Cable Grommets PG

- For a wall thickness of 2-8 mm
- Colour RAL 7035
- Plasticised PVC, cadmium- and lead free
- IP66, cable insertion from bottom

	Cable Insertion	Hole Diameter mm	Outer Cable Diameter mm	Use of Cable NYM/NYY, 4-wire mm ²	Type Designation	Article No	Units per package (pcs.)
	PG13.5	21.5	7 – 16	1.5 – 4	KT13,5	019658	1
	PG16	23.5	7 – 17	1.5 – 10	KT16	022031	1
	PG21	29.5	12.5 – 20	1.5 – 16	KT21	026777	1
	PG29	38	12.5 – 31	1.5 – 35	KT29	029150	1
	PG36	48	18 – 40	10 – 70	KT36	033896	1
	PG42	55	18 – 47	10 – 95	KT42	038642	1

Cable Grommets

- For a panel thickness of 2 to 3 mm
- Colour RAL 7035
- Plasticised PVC
- IP66, cable insertion from bottom

VT05608



Cable Insertion	Hole Diameter mm	Outer Cable Diameter mm	Use of Cable NYM/NYY, 4-wire mm ²	Type Designation	Article No	Units per package (pcs.)
–	58	14 – 54	–	KT3	031523	2
–	75	14 – 68	–	KT4	036269	3

Cable Gland for Ventilation IP69K

- Colour RAL 7035

VT02610



Cable Insertion	Hole Diameter mm	Outer Cable Diameter mm	Use of Cable NYM/NYY, 4-wire mm ²	Type Designation	Article No	Units per package (pcs.)
M20	20.5	6-13	H05VV-F 4 x 2.5 / 3 x 4 mm ² , NYM 5 x 1.5 / 5 x 2.5 mm ²	V-M20-VENT	120814	1

Technical Data

General information

Standards and regulations		IEC/EN 62208, UL508A (E336299)
Climatic resistance		Moist heat, constant according to IEC 60068-2-78, Moist heat, periodic according to IEC 60068-2-30
Ambient temperature	°C	-40 to +70
Degree of protection		IP66
Degree of protection with ventilation panels		IP23
Set-up locations		Indoor/outdoor ¹⁾
Incorporation grid	mm	25
Dissipated power loss		See separate table

Material

Material		Sheet steel
Surface finish		Structured powder-coating on Polyester base
Colour		RAL 7035, light grey
Surface		Slightly structured
Degree of gloss		Glossy
Body	mm	≤ CS-65/...: 1,2; ≥ CS-66/...: 1,5
Mounting plate	mm	2; as of height 800 x width 400mm: 3
Door	mm	≤ CS-43/...: 1,0; ≤ CS-64/...: 1,2; ≤ CS-88/...: 1,5; ≤ CS-1212/...: 2,0
Bottom panel	mm	1.5

Material properties

Mechanical		
Shock-resistance rating		IK09 according to EN 62262
Assembly weight - entire cabinet		See separate table
Assembly weight - door		See separate table
Assembly weight - mounting plate		See separate table
Assembly weight - wall-mounting brackets		See separate table

Description/Basic equipment

Type of construction		Folded and seam-welded, 2 M6 threaded bolts are included for protective conductor connection inside the enclosure
Rear panel		9 mm holes for wall-fixing
Side panels		No holes
Top panel		No holes
Bottom panel		No holes, foam sealant, removable for F3A-... flanges or for customized solutions
Mounting plate		Basic equipment, sheet steel, sendzimir zinc-plated. 15 mm clearance to rear panel. Mounted onto M8 copper thread-welding bolt. Therefore an additional protective conductor connection is not compulsory.
Door		1 M6 thread-welding bolt for protective conductor connections in the door. Where electrical operating material needs to be integrated in the door, a consistent and permanent protective conductor connection needs to be established by means of a protective conductor cable. Please use the thread-welding bolts on the door and on the side panel of the body as connecting points.
Door hinges		Right side, can be reversed on-site
Door opening angle	°	120
Locking system		Metal turnbuckle. standard lock. 3 mm two-way key-bit.
Locks	Number	See Ordering Section




General information

Load of wall-mounting		500 kg with vertically and horizontally fixed mounting brackets, symmetrical load
Material plastic		free from halogen
Resistance of plastics to glow wire	°C	650°C
Intended location		outdoor ¹⁾ and indoor

¹⁾ Outdoor location only under a separate protective roof. The enclosure must be permanently protected from the rays of the sun and the weather.

Technical Data

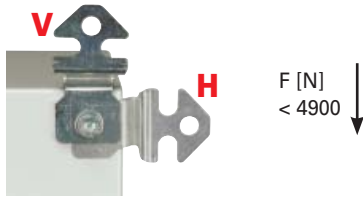
Maximum assembly weight

	Max. kg Enclosure	Max. kg Mounting Plate	Max. kg Door
			
CS-2520/150	150	125	25
CS-32/150	150	125	25
CS-33/150	150	125	25
CS-33/200	150	125	25
CS-34/200	175	150	25
CS-43/150	175	150	25
CS-43/200	175	150	25
CS-44/150	225	200	25
CS-44/200	225	200	25
CS-46/200	225	200	25
CS-46/250	225	200	25
CS-46/300	225	200	25
CS-54/150	225	200	25
CS-54/200	225	200	25
CS-54/250	225	200	25
CS-55/250	225	200	25
CS-64/150	225	200	25
CS-64/200	225	200	25
CS-64/250	225	200	25
CS-65/150	275	250	25
CS-65/200	275	250	25
CS-65/250	275	250	25
CS-66/200	275	250	25
CS-66/250	275	250	25
CS-66/300	275	250	25
CS-68/300	275	250	25
CS-75/200	275	250	25
CS-75/250	275	250	25
CS-84/200	325	300	25
CS-84/250	325	300	25
CS-86/200	325	300	25
CS-86/250	325	300	25
CS-86/300	325	300	25
CS-88/200	325	300	25
CS-88/300	325	300	25
CS-810/300	390	350	40
CS-106/250	390	350	40
CS-106/300	390	350	40
CS-108/250	390	350	40
CS-108/300	390	350	40
CS-1010/300	390	350	40
CS-126/250	390	350	40
CS-128/300	390	350	40
CS-1210/300	390	350	40
CS-1212/250	390	350	40

Technical Data

Maximum assembly weight per set

Adjustment of bracket symmetrical load n brackets position of bracket



V or H 500 kg 4 top and bottom

Amount of heat to be dissipated

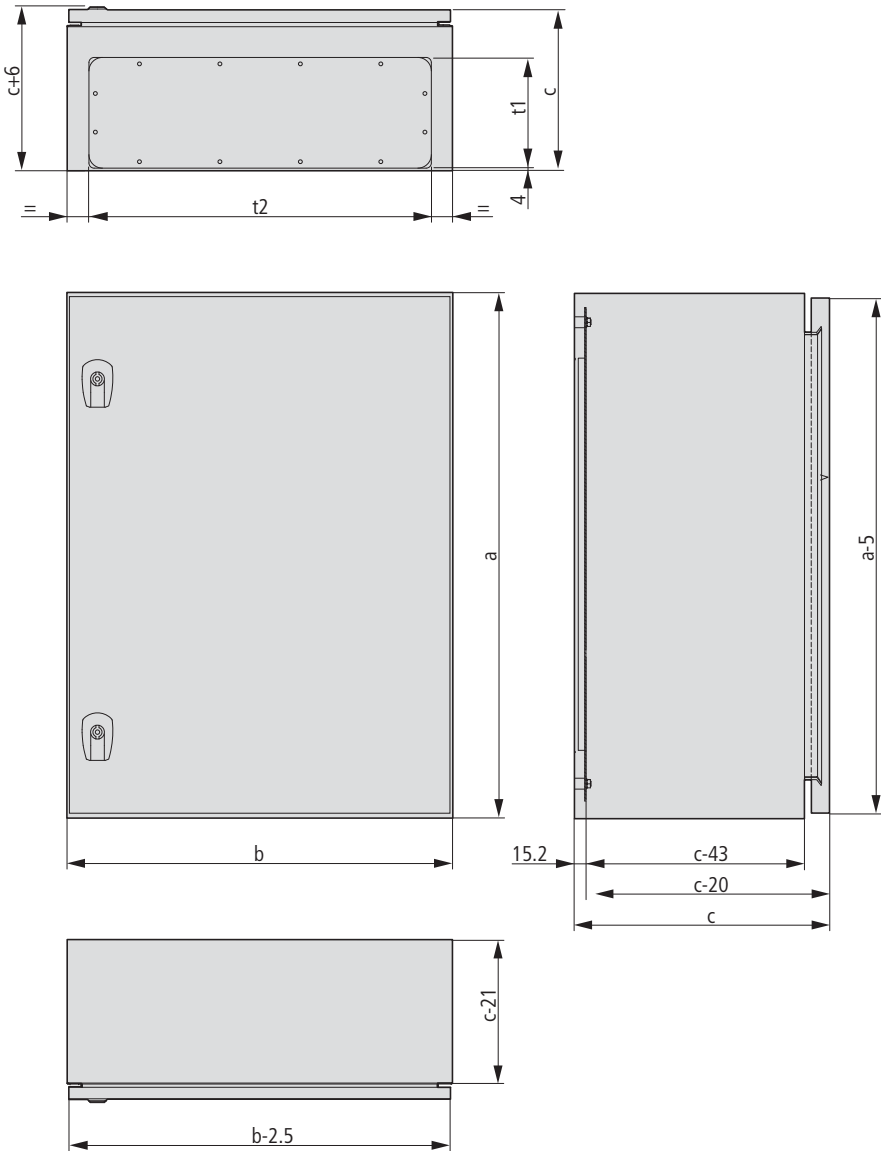
Amount of heat to be dissipated (power loss) P_V [W] for all-over closed, wall-mounted Eaton CS sheet steel enclosures without internal separations..

Example: Max. ambient temperature 35°C; excess temperature $\Delta T = 20$ K; relative humidity = 75%.

Code	Max. power loss P_V		Max. power loss P_V Wall-mounted enclosure in the center
	Single wall-mounted enclosure	First wall-mounted enclosure	
CS-2520/150	11 W	10 W	9 W
CS-32/150	13 W	11 W	10 W
CS-33/150	16 W	15 W	14 W
CS-33/200	19 W	18 W	16 W
CS-34/200	23 W	22 W	21 W
CS-43/150	21 W	19 W	18 W
CS-43/200	24 W	22 W	20 W
CS-44/150	25 W	24 W	22 W
CS-44/200	29 W	27 W	25 W
CS-54/150	30 W	28 W	27 W
CS-54/200	35 W	32 W	30 W
CS-46/200	39 W	37 W	35 W
CS-46/250	44 W	42 W	39 W
CS-46/300	49 W	46 W	43 W
CS-54/250	39 W	36 W	33 W
CS-55/250	45 W	42 W	39 W
CS-64/150	35 W	33 W	31 W
CS-64/200	40 W	37 W	34 W
CS-65/150	42 W	39 W	37 W
CS-65/200	47 W	44 W	41 W
CS-64/250	45 W	42 W	38 W
CS-65/250	55 W	49 W	45 W
CS-66/200	54 W	51 W	48 W
CS-66/250	60 W	56 W	52 W
CS-66/300	65 W	61 W	57 W
CS-68/300	81 W	76 W	72 W
CS-75/200	53 W	50 W	47 W
CS-75/250	59 W	55 W	51 W
CS-84/200	51 W	47 W	44 W
CS-84/250	57 W	53 W	48 W
CS-86/200	68 W	64 W	60 W
CS-86/300	82 W	76 W	70 W
CS-88/200	85 W	81 W	77 W
CS-86/250	75 W	70 W	65 W
CS-88/300	101 W	95 W	89 W
CS-810/300	120 W	113 W	108 W
CS-106/250	91 W	85 W	79 W
CS-106/300	99 W	91 W	84 W
CS-108/250	112 W	106 W	100 W
CS-108/300	121 W	113 W	106 W
CS-1010/300	143 W	136 W	128 W
CS-126/250	106 W	99 W	92 W
CS-128/300	141 W	132 W	123 W
CS-1210/300	166 W	158 W	149 W
CS-1212/250	180 W	173 W	166 W

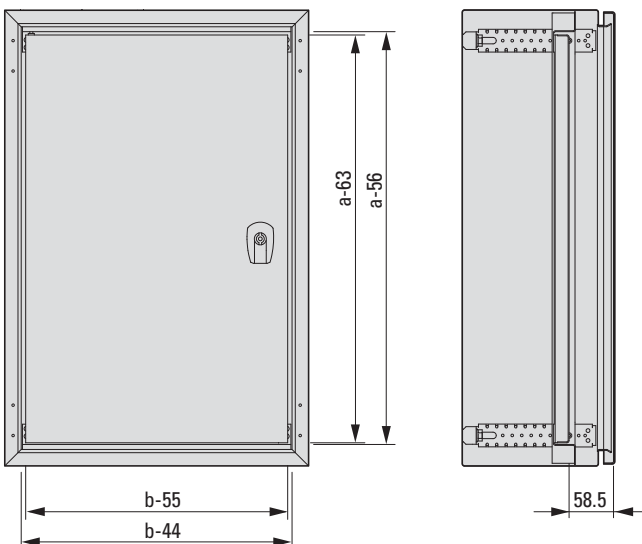
Dimensions (mm)

CS Wall-mounted Enclosure with door and blind flanges



Doors for internal separation

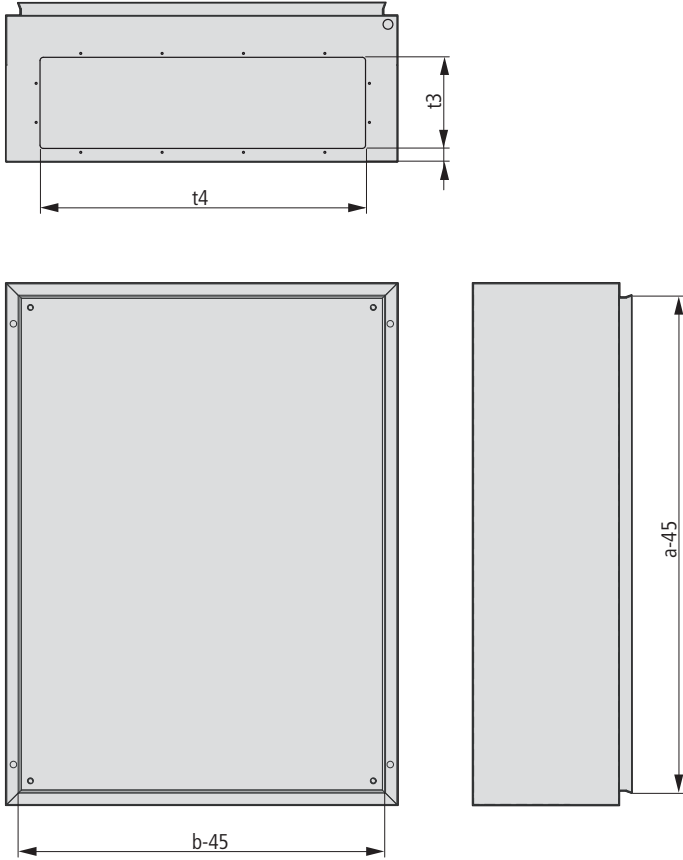
DI-....-CS



Note:
Please refer to selection page xx for A, B, C, t1, t2 values

Dimensions (mm)

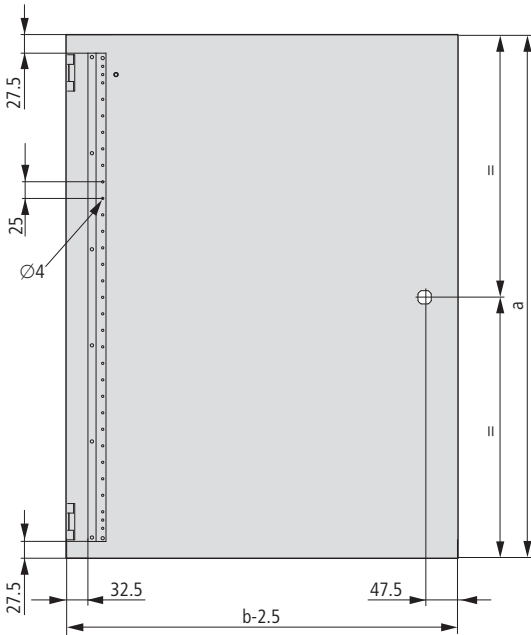
CS Wall-mounted Enclosure without door, without blind flanges



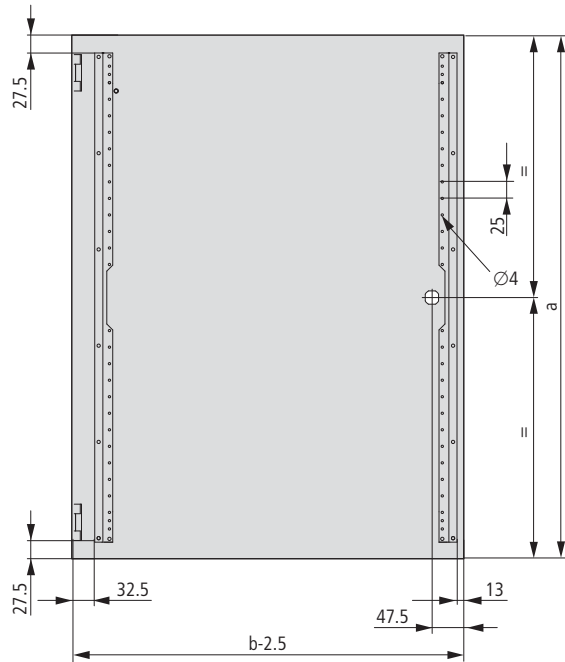
Dimensions (mm)

Doors

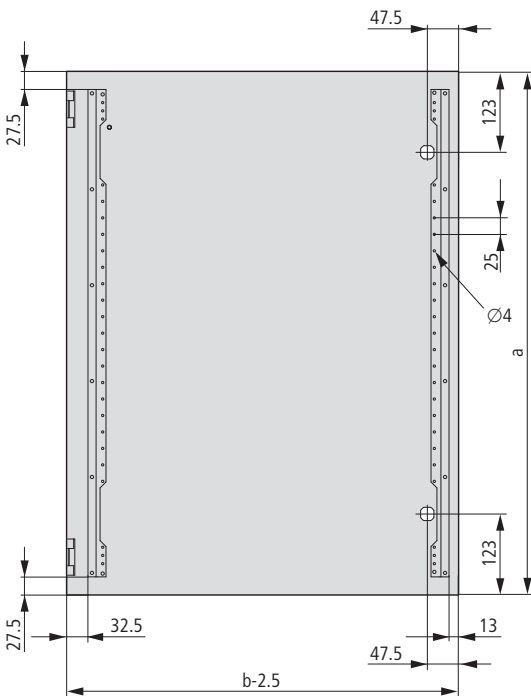
CS-2520/150, CS-32/150
DS-2520-CS, DS-3020-CS



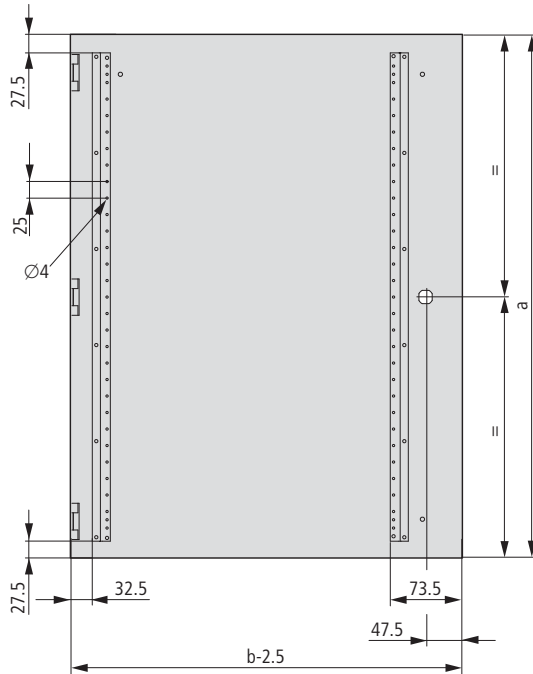
CS-33/..., CS-34/..., CS-4.../...
DS-3030-CS, DS-3040-CS, DS-4...-CS



CS-5.../..., CS-6.../..., CS-7.../...
DS-5...-CS, DS-6...-CS, DS-7...-CS



CS-8.../...
DS-8...-CS

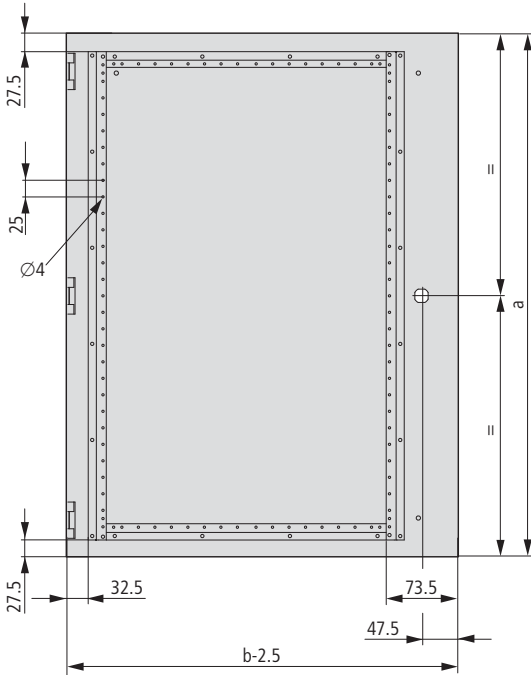


Note:
Please refer to selection page xx for A, B, C values

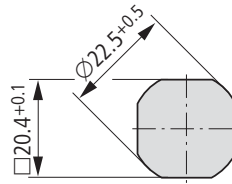
Dimensions (mm)

Doors

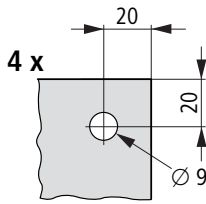
CS-10.../..., CS-12.../...
DS-10...-CS, DS-12...-CS



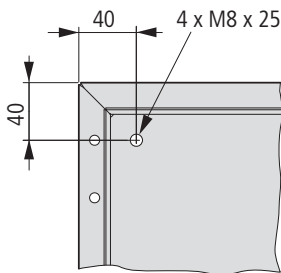
Mounting Opening - Lock



Position of the 4 holes at the rear panel of the enclosure for wall-mounting



Position of the 4 threaded bolts at the rear panel of the enclosure



Distance between two holes between two door profile bars:

Width B	Distance between two holes (mm)
300	203,4
400	303,4
500	403,4
600	503,4
800	703,4
1000	903,4
1200	1103,4

Dimensions (mm)

Dimensions Enclosure

Type	a	b	c	t1	t2	t3	t4
CS-2520/150	250	200	150	112	182	80	150
CS-32/150	300	200	150	112	182	80	150
CS-33/150	300	300	150	112	232	80	200
CS-33/200	300	300	200	172	262	140	230
CS-34/200	300	400	200	172	332	140	300
CS-43/150	400	300	150	112	232	80	200
CS-43/200	400	300	200	172	262	140	230
CS-44/150	400	400	150	112	332	80	300
CS-44/200	400	400	200	172	332	140	300
CS-46/200	400	600	200	172	532	140	500
CS-46/250	400	600	250	172	532	140	500
CS-46/300	400	600	300	172	532	140	500
CS-54/150	500	400	150	112	332	80	300
CS-54/200	500	400	200	172	332	140	300
CS-54/250	500	400	250	172	332	140	300
CS-55/250	500	500	250	172	432	140	400
CS-64/150	600	400	150	112	332	80	300
CS-64/200	600	400	200	172	332	140	300
CS-64/250	600	400	250	172	332	140	300
CS-65/150	600	500	150	112	332	80	300
CS-65/200	600	500	200	172	432	140	400
CS-65/250	600	500	250	172	432	140	400
CS-66/200	600	600	200	172	532	140	500
CS-66/250	600	600	250	172	532	140	500
CS-66/300	600	600	300	172	532	140	500
CS-68/300	600	800	300	172	732	140	700
CS-75/200	700	500	200	172	432	140	400
CS-75/250	700	500	250	172	432	140	400
CS-84/200	800	400	200	172	332	140	300
CS-84/250	800	400	250	172	332	140	300
CS-86/200	800	600	200	172	532	140	500
CS-86/250	800	600	250	172	532	140	500
CS-86/300	800	600	300	172	532	140	500
CS-88/200	800	800	200	172	732	140	700
CS-88/300	800	800	300	172	732	140	700
CS-810/300	800	1000	300	172	932	140	900
CS-106/250	1000	600	250	172	532	140	500
CS-106/300	1000	600	300	172	532	140	500
CS-108/250	1000	800	250	172	732	140	700
CS-108/300	1000	800	300	172	732	140	700
CS-1010/300	1000	1000	300	172	932	140	900
CS-126/250	1200	600	250	172	532	140	500
CS-128/300	1200	800	300	172	732	140	700
CS-1210/300	1200	1000	300	172	932	140	900
CS-1212/250	1200	1200	250	2x172	532	140	500

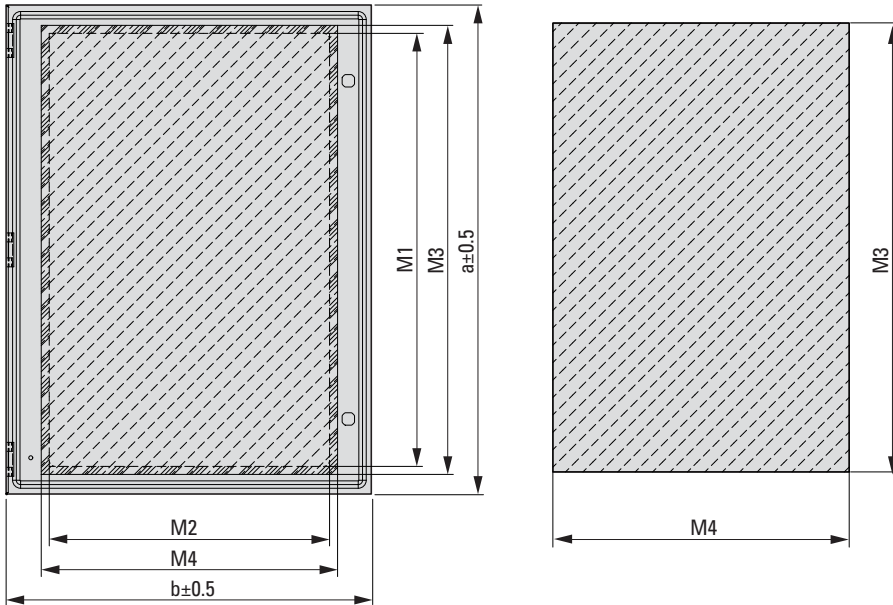
Dimensions Doors

Enclosure		Door	
Height	Width	Height	Width
250	200	248	197,5
300	200	298	197,5
300	300	298	297,5
300	400	298	397,5
400	300	398	297,5
400	400	398	397,5
400	600	398	597,5
500	400	498	397,5
500	500	498	497,5
600	400	598	397,5
600	500	598	497,5
600	600	598	597,5
600	800	598	797,5
700	500	698	497,5
800	400	798	397,5
800	600	798	597,5
800	800	798	797,5
800	1000	798	997,5
1000	600	998	597,5
1000	800	998	797,5
1000	1000	998	997,5
1200	600	1198	597,5
1200	800	1198	797,5
1200	1000	1198	997,5
1200	1200	1198	1197,5

Dimensions (mm)

Doors with an Inspection Glass

DT-....-CS

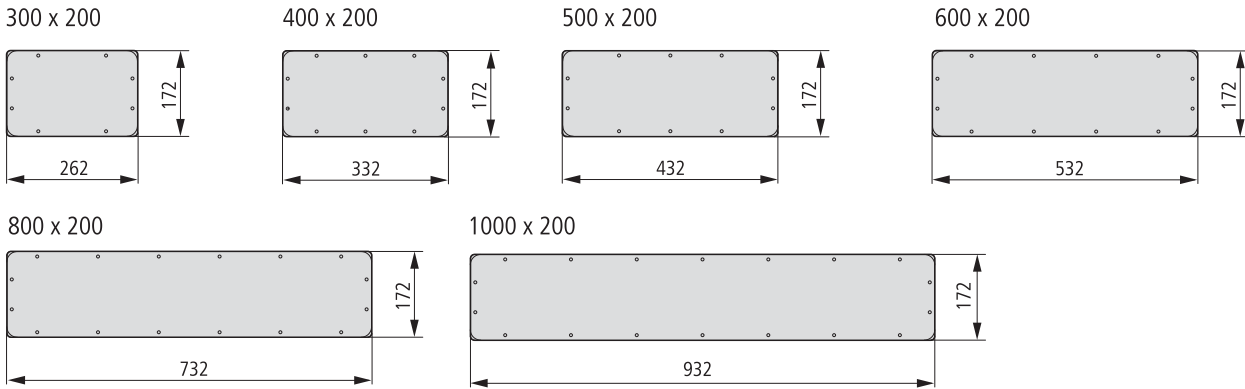


Dimensions for Doors with an Inspection Glass

Enclosure Height a	Enclosure Width b	M1	M2	M3	M4
250	200	132	84	158	110
250	250	152	104	178	130
300	200	182	84	208	110
300	250	202	104	228	130
300	300	202	154	228	180
300	400	202	254	228	280
400	300	302	154	328	180
400	400	302	254	328	280
400	500	302	354	328	380
400	600	302	454	328	480
500	300	402	154	428	180
500	400	402	254	428	280
500	500	402	354	428	380
600	400	502	254	528	280
600	500	503	355	529	381
600	600	503	455	529	481
600	800	503	655	529	681
700	500	603	355	629	381
800	400	703	255	729	281
800	600	703	455	729	481
800	800	703	655	729	681
800	1000	703	855	729	881
1000	600	904	425	930	451
1000	800	904	625	930	651
1000	1000	904	825	930	851
1200	600	1104	425	1130	451
1200	800	1104	625	1130	651
1200	900	1104	725	1130	751
1200	1000	1104	825	1130	851
1200	1200	1104	1025	1130	1051

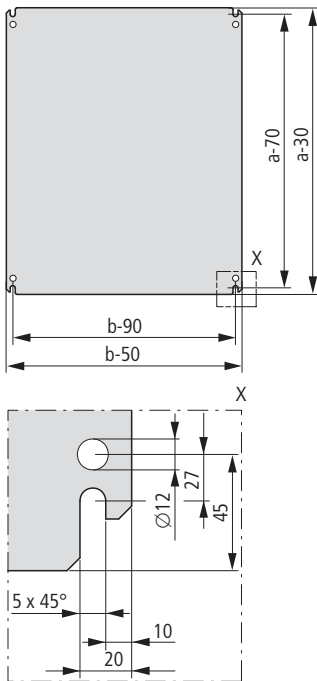
Dimensions (mm)

Bottom of Enclosure, with Flange Openings F3A



Mounting Plates

MPP, MPL

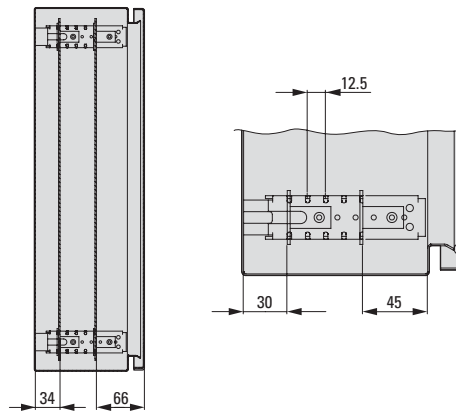


a, b = Dimensions of the enclosure

Type	Mounting Plate Height	Width
CS-2520/150	220	150
CS-32/150	270	150
CS-33/150	270	250
CS-33/200	270	250
CS-34/200	270	350
CS-43/150	370	250
CS-43/200	370	250
CS-44/150	370	350
CS-44/200	370	350
CS-46/200	370	550
CS-46/250	370	550
CS-46/300	370	550
CS-54/150	470	350
CS-54/200	470	350
CS-54/250	470	350
CS-55/250	470	450
CS-64/150	570	350
CS-64/200	570	350
CS-64/250	570	350
CS-65/150	570	450
CS-65/200	570	450
CS-65/250	570	450
CS-66/200	570	550
CS-66/250	570	550
CS-66/300	570	550
CS-68/300	550	770
CS-75/200	670	450
CS-75/250	670	450
CS-84/200	770	350
CS-84/250	770	350
CS-86/200	770	550
CS-86/250	770	550
CS-86/300	770	550
CS-88/200	770	750
CS-88/300	770	750
CS-810/300	770	750
CS-106/250	970	550
CS-106/300	970	550
CS-108/250	970	750
CS-108/300	970	750
CS-1010/300	970	950
CS-126/250	1170	550
CS-128/300	1170	750
CS-1210/300	1170	950
CS-1212/250	1170	1150

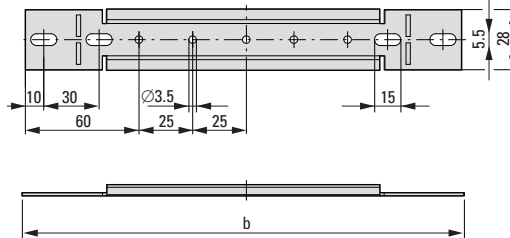
Depth-adjustment elements for mounting plates

DAS-SET/...-CS



Mounting webs for door profile bars and cable ducts

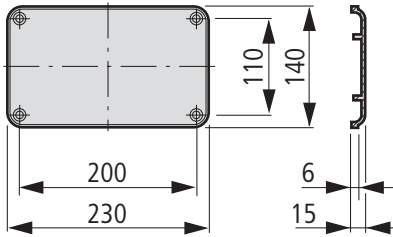
MTR-D...-CS



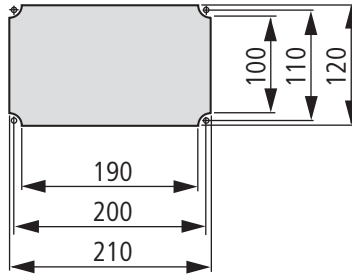
Type	B
MTR-D3-CS	220
MTR-D4-CS	320
MTR-D5-CS	420
MTR-D6-CS	520
MTR-D8-CS	720

Dimensions (mm)

Flange Plastic F3A

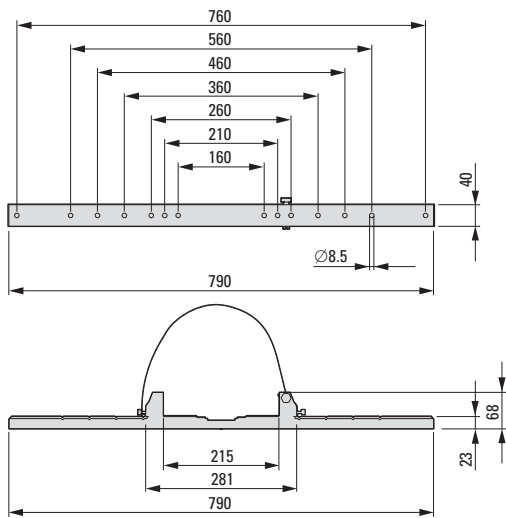


Opening of Flange



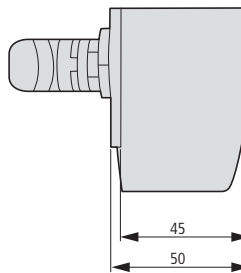
Fixing on a mast

MAST-FIT-CS



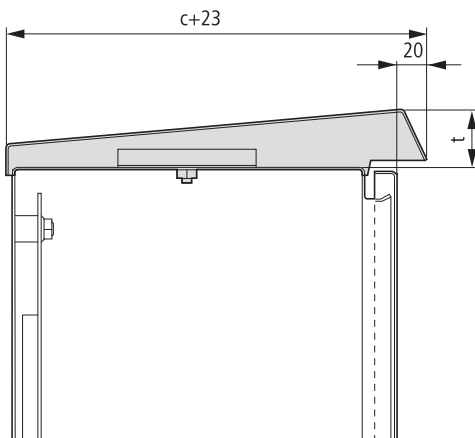
Ease-of-use Rotary Handle

PHZ-A



Canopy

CNP



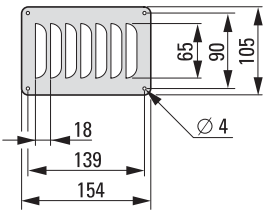
c = Depth of enclosure

Type	c+23 (mm)	t (mm)
CNP-2/150-CS	173	30
CNP-3/150-CS	173	30
CNP-3/200-CS	223	34
CNP-4/150-CS	173	30
CNP-4/200-CS	223	34
CNP-4/250-CS	273	38
CNP-5/150-CS	173	30
CNP-5/200-CS	223	34
CNP-5/250-CS	273	38
CNP-6/200-CS	223	34
CNP-6/250-CS	273	38
CNP-6/300-CS	323	42
CNP-8/200-CS	223	34
CNP-8/250-CS	273	38
CNP-8/300-CS	323	42
CNP-10/300-CS	323	42
CNP-12/250-CS	273	38

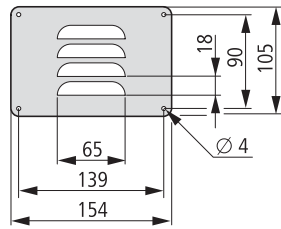
Dimensions (mm)

Ventilation Louvers

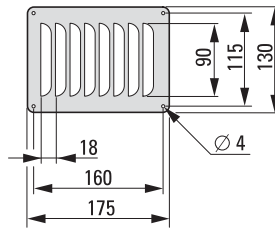
LVP-20V12-CS



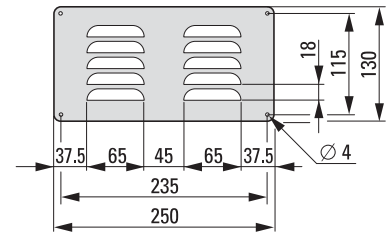
LVP-20H12-CS



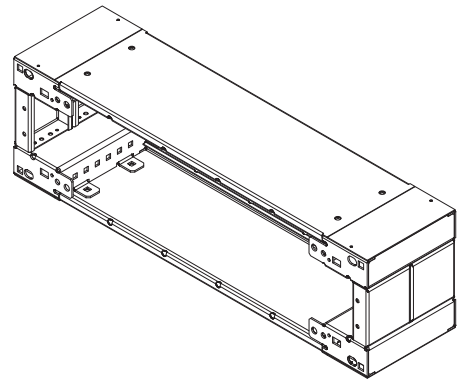
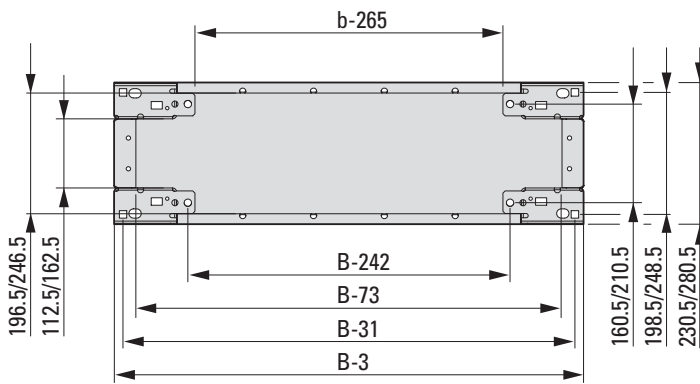
LVP-30V15-CS



LVP-30H15-CS



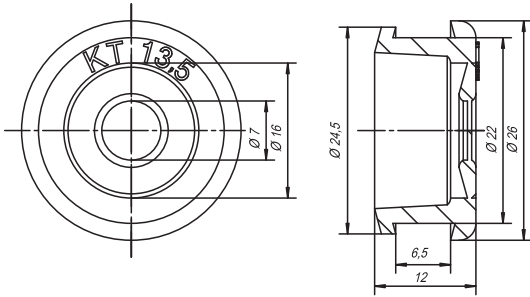
Cable Interconnect Base PLI-./...-200-CS



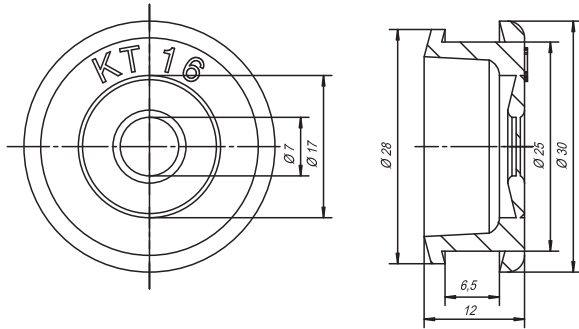
Dimensions (mm)

Cable Grommets PG

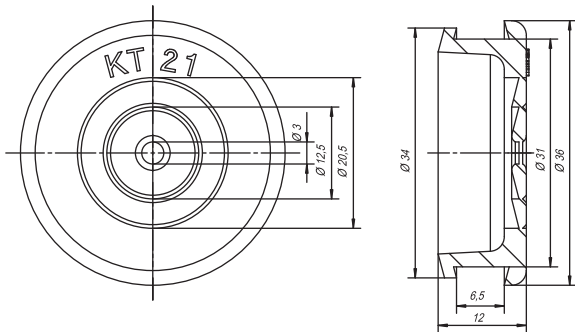
KT13,5



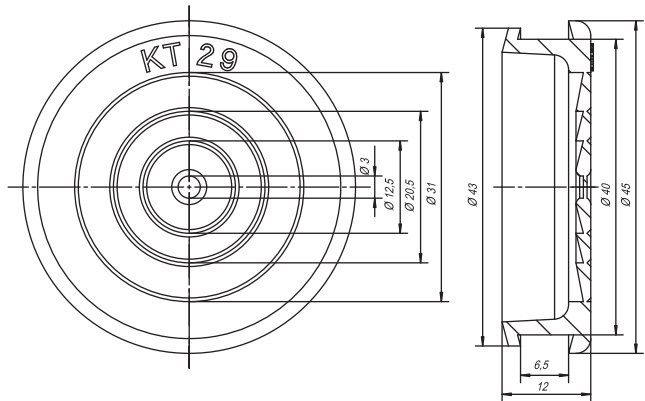
KT16



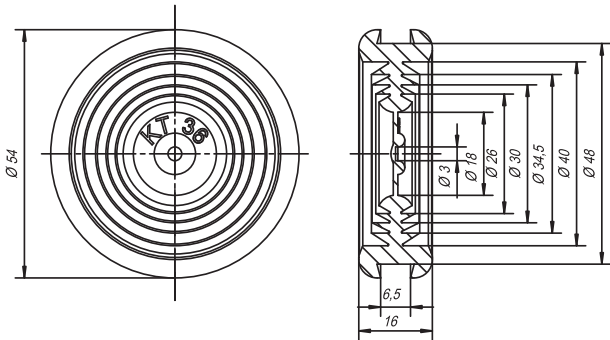
KT21



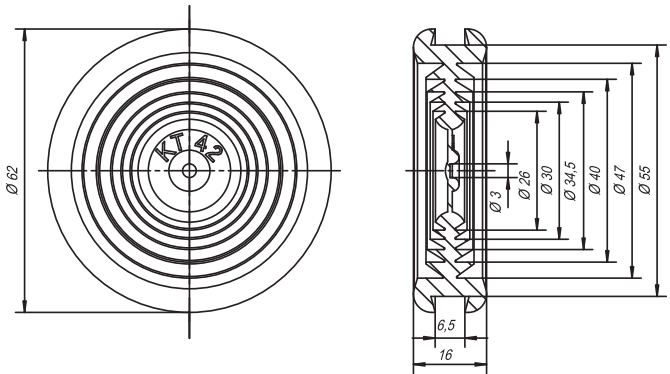
KT29



KT36



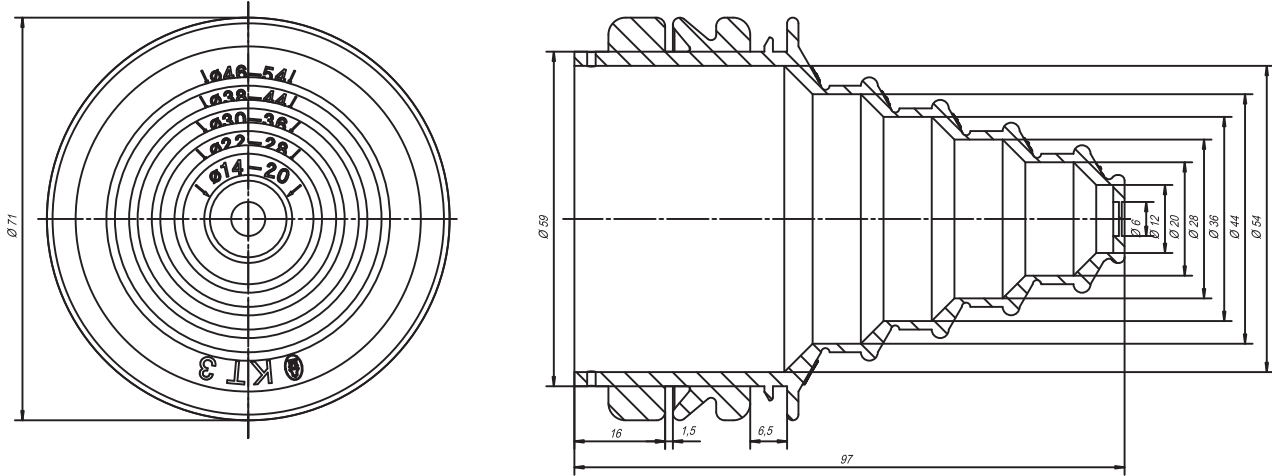
KT42



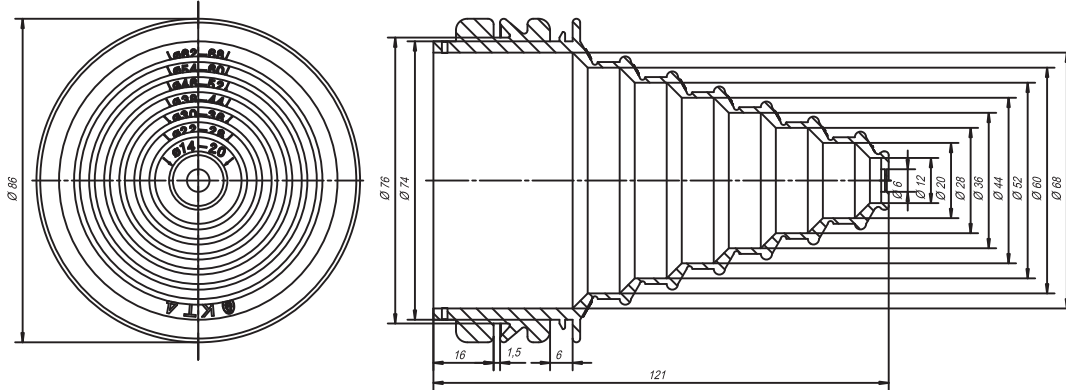
Dimensions (mm)

Cable Grommets

KT3



KT4



Eaton is a power management company with 2016 sales of \$19.7 billion. Eaton provides energy-efficient solutions that help our customers effectively manage electrical, hydraulic and mechanical power more efficiently, safely and sustainably.

Eaton has approximately 95,000 employees and sells products to customers in more than 175 countries.

For more information, visit www.eaton.eu.



Eaton Industries (Austria) GmbH
Scheydgasse 42
1210 Vienna
Austria

Eaton
EMEA Headquarters
Route de la Longeraie 7
1110 Morges, Switzerland
Eaton.eu

© 2017 Eaton
All Rights Reserved
Publication No. FK4300-1178GB
Printed in Austria
March 2017
Graphics: SRA, Schrems

Eaton is a registered trademark.

All other trademarks are property of their respective owners.

Follow us on social media to get the latest product and support information.

